

Veritas® Transfer/Log Scribe

05U05.01

The Veritas® Transfer/Log Scribe is intended to be used for two purposes. For cabinetmaking and general carpentry, it can transfer wall or molding profiles onto an abutting panel. Used as a log scribe, it accurately scribes the contour of one log onto another. Whichever way it is used, the wide range of adjustment and bi-directional bubble levels make it a very versatile tool.

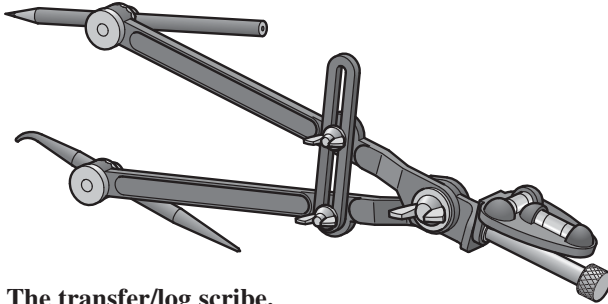


Figure 1: The transfer/log scribe.

Transfer Scribing

The scribe is generally used in horizontal mode for transfer scribing, with the non-marring curved end point. With the scribe held horizontally and the curved tip oriented outward so that it will always remain in contact with the profile being traced, place the point and pencil on a known horizontal surface. Now adjust the inner level to read zero (see **Figure 2**). The outer level is not a concern when the scribe is used in this mode.

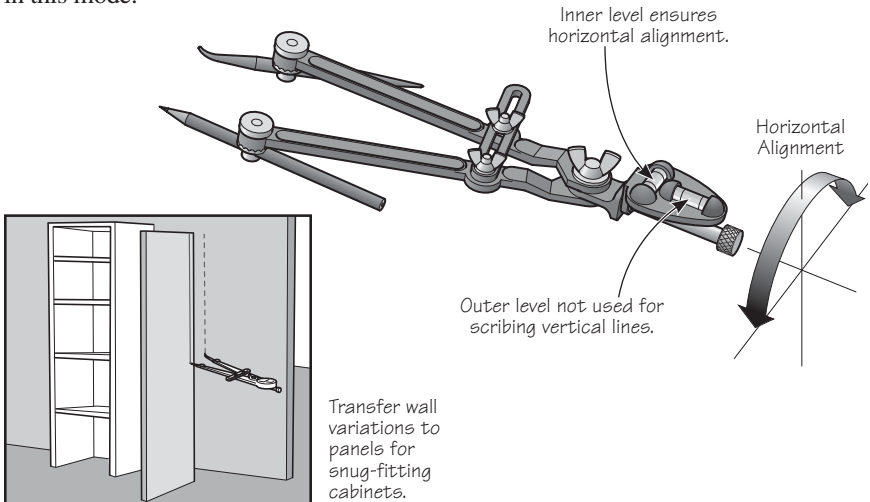


Figure 2: Transfer scribing.

Transferring Profiles Onto Full Panels

To transfer a wall profile onto the **entire** height of an abutting panel, place the panel a small distance from the wall, and adjust the scribe opening so the point and pencil straddle the width of the largest gap. With the panel held vertically, run the curved tip up (or down) the wall, keeping the inner level zeroed, marking the profile onto the panel with the pencil. Now trim the panel to the scribed line.

Transferring Profiles Onto Partial Panels

To transfer only a portion of a wall profile onto an abutting panel (e.g., molding and baseboard only), you must adjust the scribe opening so that both the trimmed and untrimmed edges of the panel will contact the wall and molding profiles with minimal gap.

The scribing procedure is the same as for full panels except that when the scribe opening is adjusted, the distance between the pencil and curved tip end should be exactly the same as the distance between the wall profile and the panel edge, measured just above where the molding begins (see **Figure 3**).

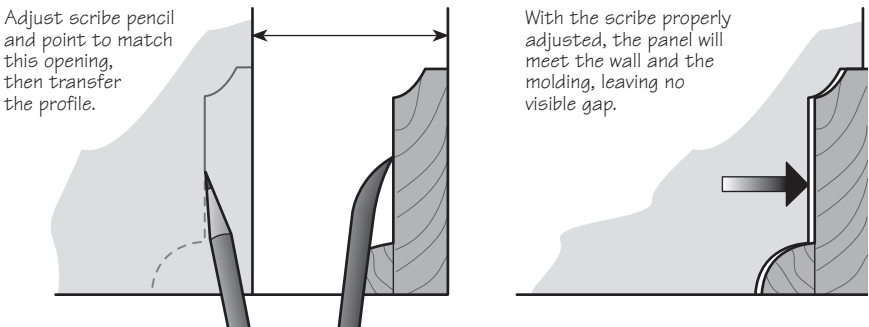


Figure 3: Transfer scribing partial panels.

Log Scribing

The scribe is generally used in the vertical mode for log scribing, with either the non-marring curved end point out, or the straight point out (see **Figure 4**).

Nail a board onto the side of the building you are working on, or onto a nearby tree. It is essential that this board is exactly vertical. On this board draw a plumb line.

Adjust the pencil/point opening to the distance you require (which is normally slightly more than the greatest gap between the logs to be fitted), and with both tips against your plumb line, adjust both levels to read zero.

When scribing between corners, you should pay particular attention to the vertical alignment of the scribe. At the joints, plumb alignment is critical (see **Figure 4**).

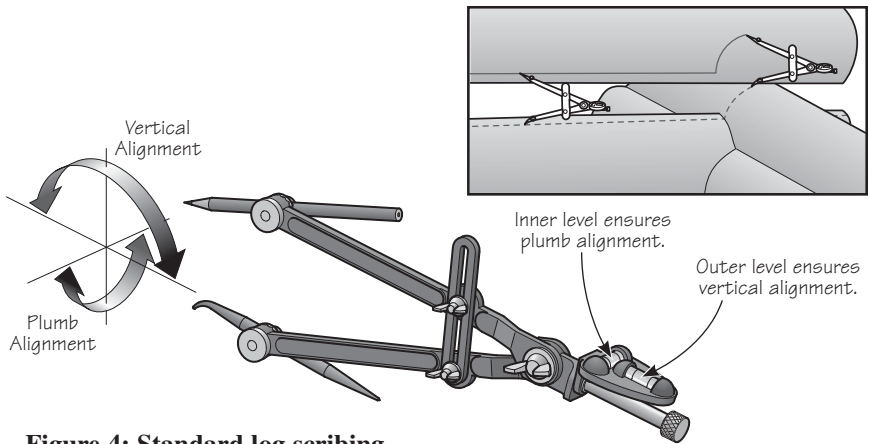


Figure 4: Standard log scribing.

By relocating the level as shown in **Figure 5**, the outer level is fixed, eliminating the adjustments required to ensure plumb alignment. Remove the level by undoing the brass knob at the rear of the scribe. Re-attach the level onto one of the carriage bolts on the clamping bar, as shown below. With the scribe used in the vertical mode (as most often done in log scribing), the outer level is fixed and when reading zero, the pencil and pin tips are plumb. The inner level must be adjusted as described earlier, with the pencil and pin against a known vertical surface.

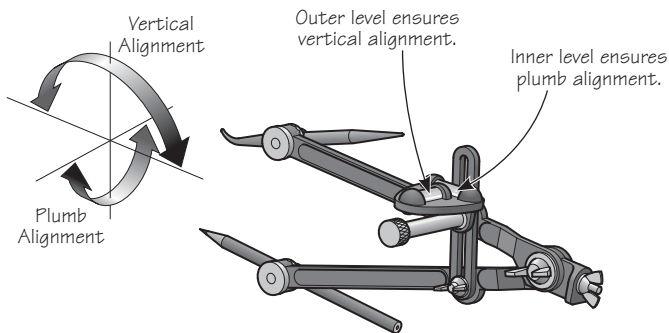


Figure 5: Log scribing, alternative level location.

Notes on Log Scribing

You may find that if you change the scribe opening after initial adjustments, the level controlling vertical alignment will no longer read zero when the tip is placed against a known vertical surface. This may occur for two reasons:

1. The pencil and pin projection and orientation are not equal. This can be corrected during the initial scribe adjustment.
2. Because the level mount is locked by friction only, it may not remain centrally located as the scribe arms move in or out.

If you need to change the scribe opening after making your level adjustments, it is always best to check the outer level for vertical alignment.

As your pencil wears and needs resharpener, either the pencil projection or level should be adjusted to keep the points directly above each other.

The spring in the clamping assemblies prevents the pencil and point from falling out while adjusting their projection or orientation. Even with the nut loosened, the spring will impart enough tension to hold the position of the pencil or point, allowing for fine adjustments.

Indelible Pencils

Indelible pencils leave a distinct, long-lasting mark on a moist surface (it is often helpful to wet the surface first with a spray-mist bottle). They mark with very little pressure, allowing you to concentrate on accuracy.

The drawing lead in these pencils is made of materials that can easily break. Sharpening to a sharp point is not recommended. For best results, sharpen using the larger (11mm) hole of a two-hole hand-held pencil sharpener until the pencil tip is no smaller than half the lead diameter. The secret is to shave off just enough of the outer casing to expose the lead, while keeping the end blunt.

Accessories

83U01.16 Package of 10 Indelible Pencils – Purple

83U01.20 Package of 10 Indelible Pencils – Red

veritas[®] Tools Inc.

814 Proctor Avenue 1090 Morrison Drive
Ogdensburg, New York Ottawa, Ontario
13669-2205 USA K2H 1C2 Canada

customerservice@veritastools.com
www.veritastools.com